

Cybex ARC TRAINER 771A LOWER BODY (J1103 to L0331)

771A-LED-03

Parts Manual

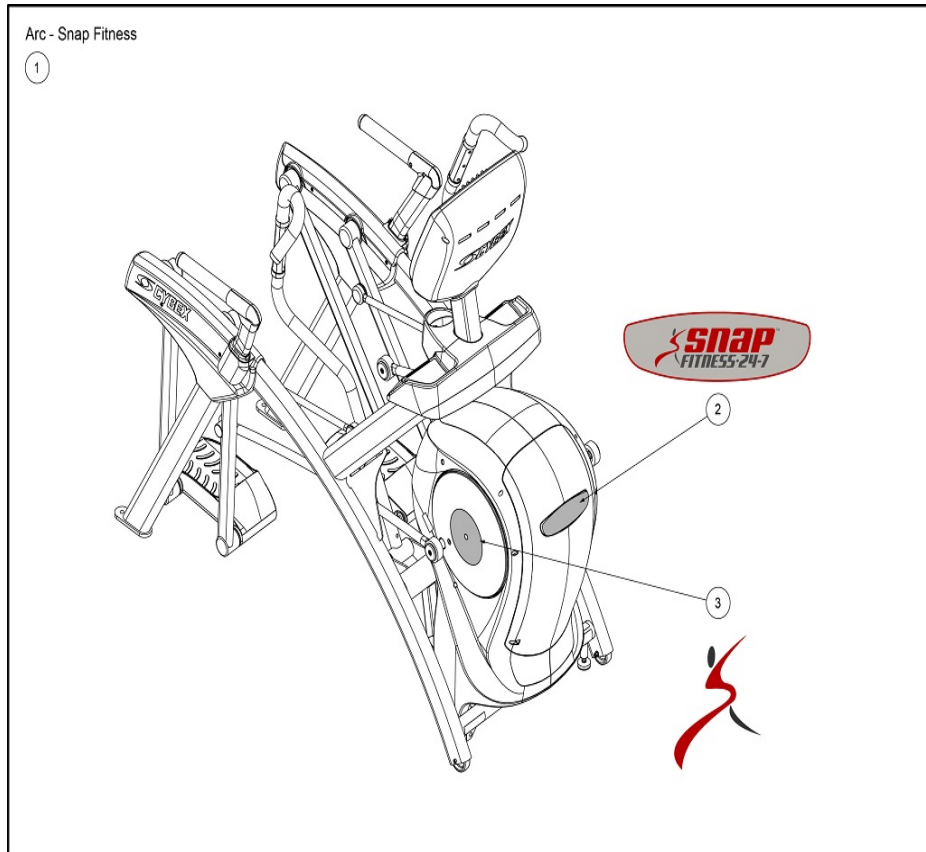
2/13/2024 11:23:45 AM



Table of Contents

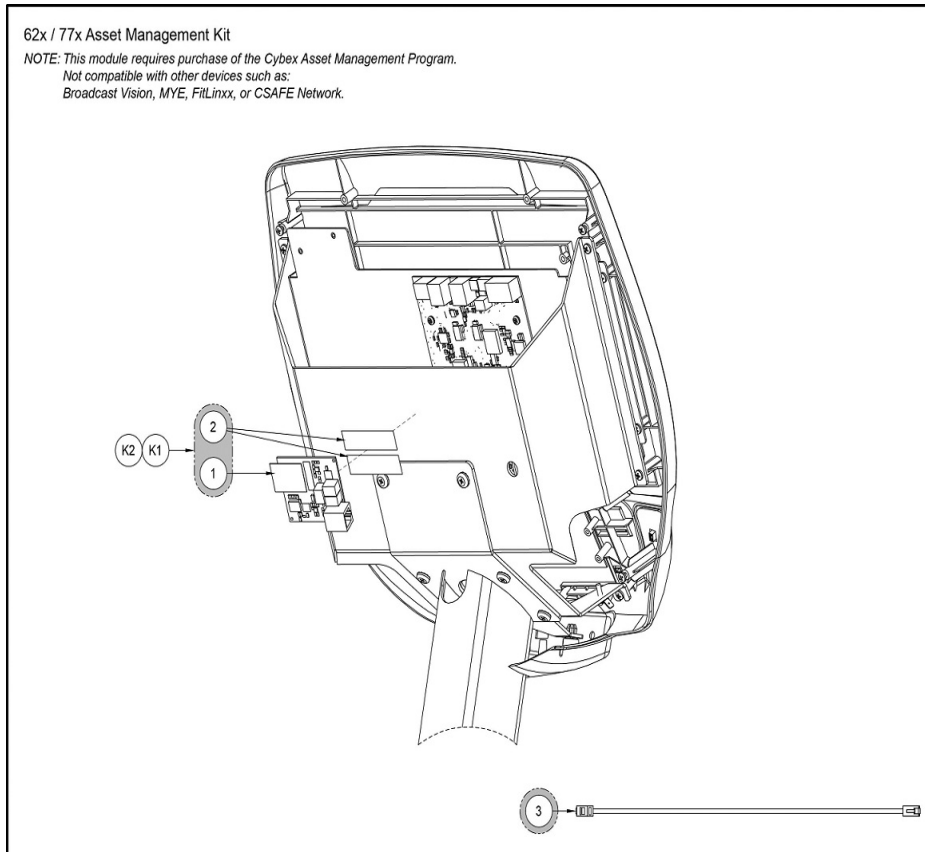
Arc - SnapFitness	3
626/771 Asset Management Kit	4
750A Linkage Assembly	5
750 Arc - You Fit	6
770A / 771A Console Assembly J1103 to L0731	7
770A / 771A Console Cables J1103 to L0731	9
770A, 771A - Hardware Manual and Power Cords	10
770, 771A Netpulse Bracket Kit Option	12
771A Arm Linkage Assembly	13
771A Console Tray Assembly	15
771A Console Weldment With Grips	16
771A Drive Frame Assembly	17
771A Foot Plate Assembly	19
771A Lower Electronics	20
771A Rear Cover Assembly	21
771A Shroud Assembly	22
771A Wireless Audio Option	23
771 Arc Drive Frame Detail	24

Arc - SnapFitness



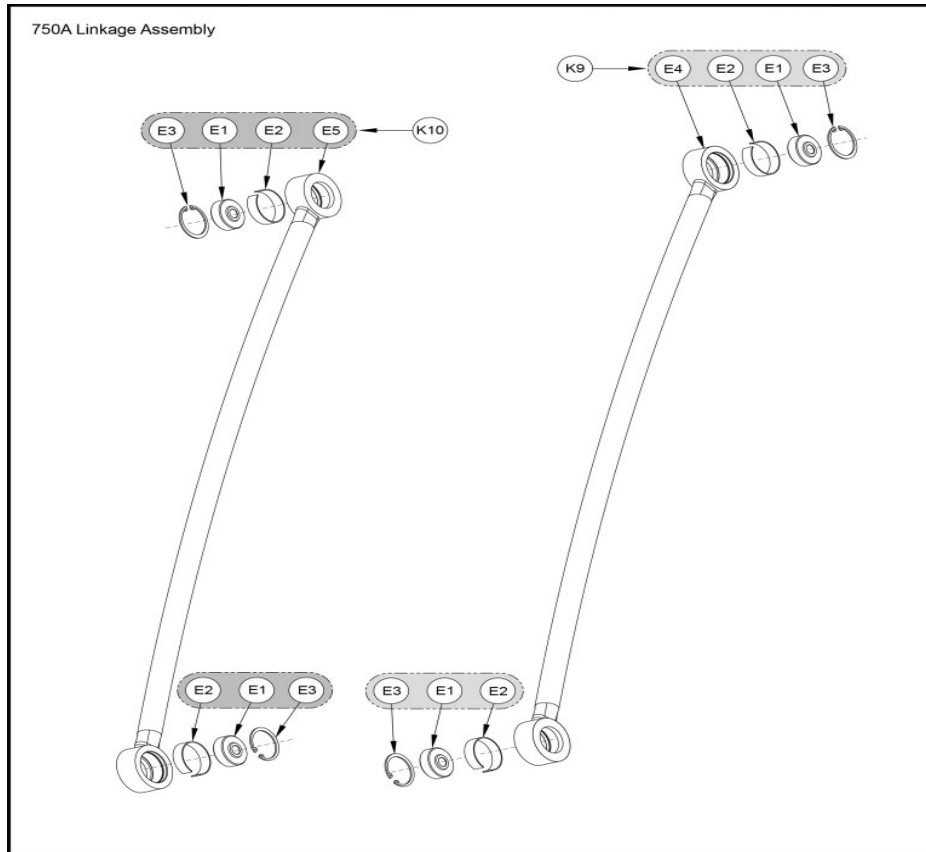
Ref #	Part Number	Qty	Description
1	625A-060S	1	BRANDING PACKAGE S, SNAP FITNESS
2	750A-410	1	Decal Logo Snap Fitness
3	630A-335	2	DECAL SNAP FITNESS RUNNING MAN 10.00

626/771 Asset Management Kit



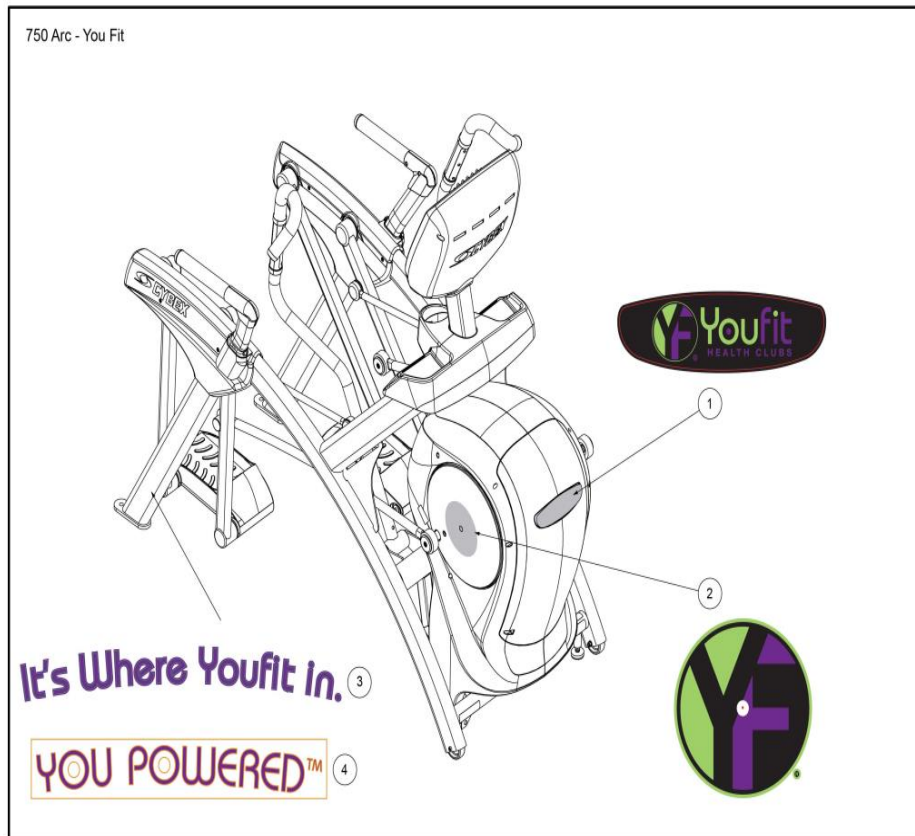
Ref #	Part Number	Qty	Description
1	OAD-25136V	1	PCA, ELECT IMP AWN SLDR MOD, US
K1	KU-25238	1	UPGRADE KIT,AWM,IMP, 525 625 7
1	OAD-25138V	1	PCA, ELECT IMP AWN SLDR MOD, EU
2	OHX-25109	2	TAPE, DBL SIDED, VHB, 1.0X.25X.120THK
K2	KU-25239	1	UPGRADE KIT,AWM,IMP, 525 625 7
3	770A-411	2	CABLE, CAT5E, 18

750A Linkage Assembly



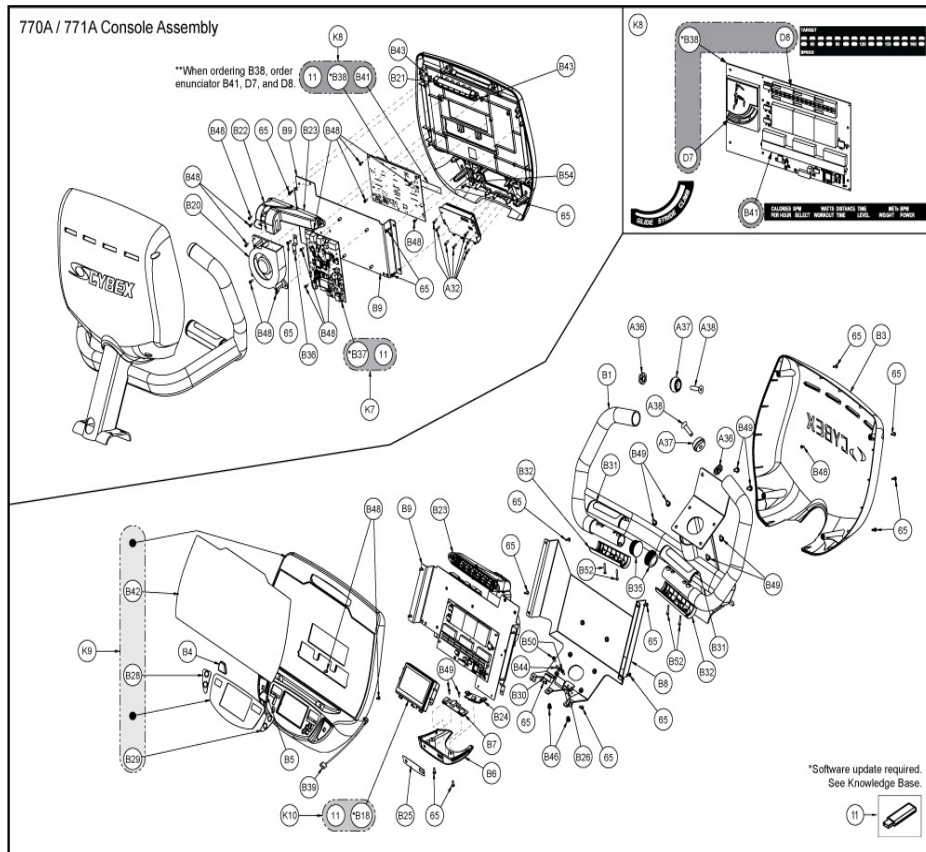
Ref #	Part Number	Qty	Description
E1	FB030244	4	BEARING,.50IDX1.688OD,RADIAL BALL,SELF ALIGN
E2	FC030004	4	TOLERANCE RING 42MM ID
E3	HX-17143	4	RING RETAINING,INT,5000-168
E4,K9	750AK006	2	KIT, LINKAGE ROD LEFT
E5,K10	750AK007	2	KIT, LINKAGE ROD RIGHT

750 Arc - You Fit



Ref #	Part Number	Qty	Description
1	DE-60297	1	DECAL, YOUFIT ARC DOME
2	DE-60281	2	DECAL, ARC YF SIDE PLATE
3	DE-60282	1	DECAL, ARC YF LEG
4	DE-60300	1	DECAL, YOU POWERED, YOUFIT

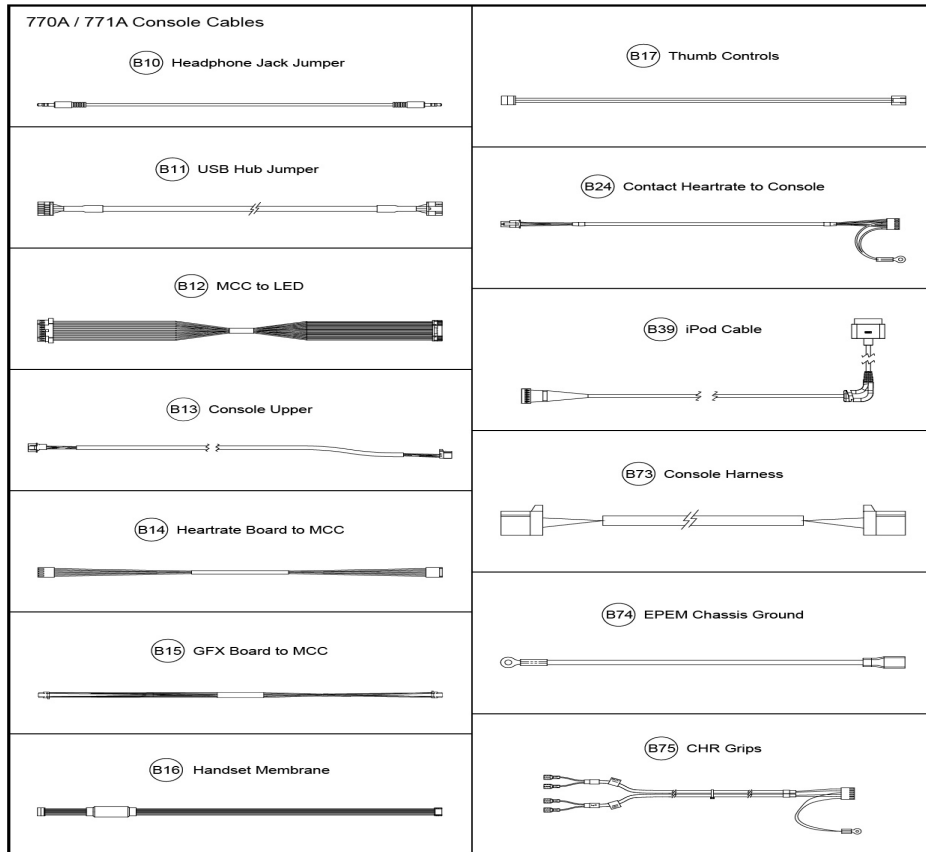
770A / 771A Console Assembly J1103 to L0731



Ref #	Part Number	Qty	Description
B1	625A-104	1	CONSOLE ASSEMBLY
B3	770A-326	1	CONSOLE BACK, 625A-770A
B4	770A-328	1	BACK TAB, SMALL CONSOLE, LEFT
B5	770A-329	1	BACK TAB, SMALL CONSOLE, RIGHT
B6	770A-330	1	COVER: HEADPHONE JACK
D7	DE-23480	1	Label Muscle Map Mod
K7	K525AT-407	1	KIT, PCA MCC, 525 ARC
B7	770A-347	1	PCA, HANDSET AUDIO JACK
K8	KAD-23467	1	Kit 77XA Disp Bd w/Ununc
D8	DE-23481	1	Label Target Speed Mask
B8	770A-353	1	CONSOLE MOUNTING PLATE, 770, 625
K9	K770A-414	1	KIT, BEZEL, W KEYPAD DECAL, EPEM 770A
B9	770A-354	1	FAN MOUNTING PLATE, 770, 625
K10	CP-25536V	1	DISPLAY,4.3 LCD OPEN FRAME, 77
11	CP-23199	1	USB 2.0 FLASH DRIVE,BLANK
B18	OCP-25539	1	DISPLAY,770A,4.3 LCD OPEN FRAME
B20	770A-373	1	FAN, 12VDC, 120X120MM, SIDE OUTLET
B21	770A-374	1	FAN LOUVER
B22	770A-375	1	FAN DUCT, LEFT
B23	770A-376	1	FAN DUCT, RIGHT
B24	770A-379	1	SENSOR, HEART RATE COMBO
B25	770A-380	1	DECAL,HEADPHONE JACK USB

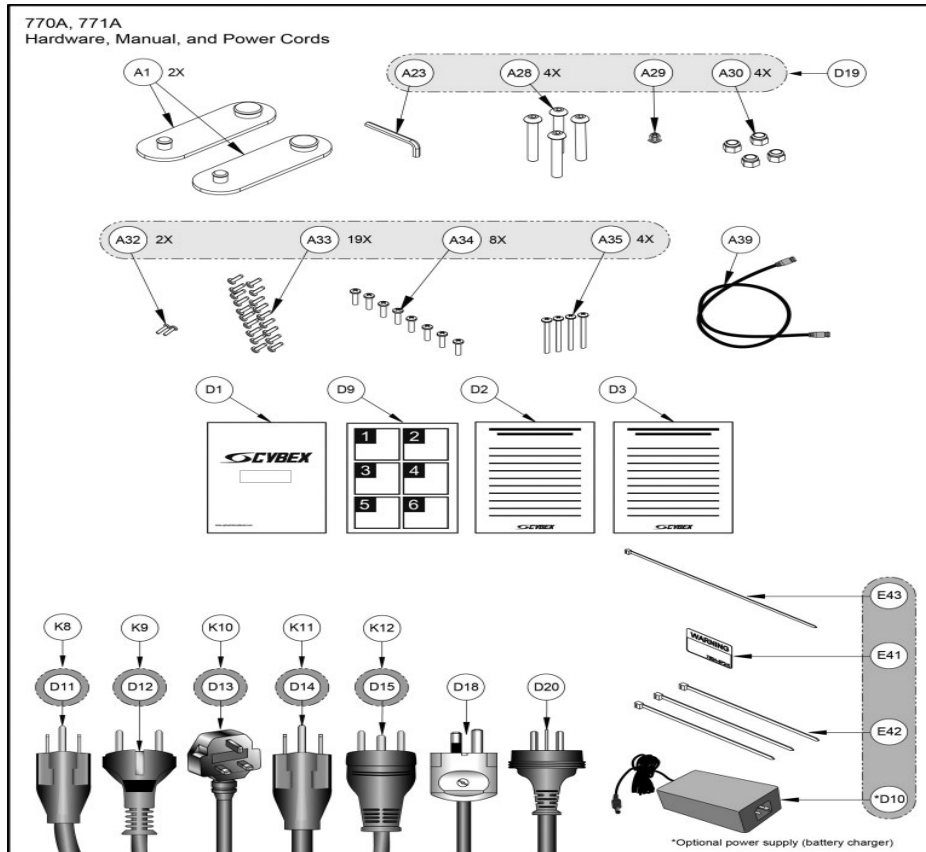
Ref #	Part Number	Qty	Description
B26	770A-383	1	BRKT, GROUNDING, GUI
B28	770A-386	1	THUMB SWITCH, LEFT, INCLINE
B29	770A-387	1	THUMB SWITCH, RIGHT, RESISTANCE
B30	770A-395	1	GASKET, EMI, .50 X .50 X 1.0
B31	770A-397	2	GRIP, CHR, TOP
A32	HT532512	10	PN HD PHIL SC #6 X .50 PLASTITE
B32	770A-398	2	GRIP, CHR, BOTTOM
B35	770A-407	2	END CAP, CONTACT GRIP
B36	770A-408	1	CLIP, GROUNDING, 770/625 CONSOLE
A36	HF709001	2	INSERT 1.37 X .375-16 UNC
A37	770A-399	2	CAP, END 1.50 OD
B37	525AT-407	1	PCA, MCC, UNPROGRAMMED, IPOD, 525AT, C, R
A38	HC700922	2	FHSCS .375-16 X 1.500, SS
B38	AD-23467	1	PCA,MUSCLE MAP LED DISPLAY,UNPROG
B39	OAW-24968V	1	CABLE, 770ACR, IPOD 30 PIN PURCHASED
B41	DE-23832-7	1	LABEL,770A ENUNCIATOR,SWE
B41	DE-23832-8	1	LABEL,770A ENUNCIATOR,RUS
B41	DE-23832-A	1	LABEL,770A ENUNCIATOR,DAN
B41	DE-23832-H	1	DECAL, 770A ENUNCIATOR CHINESE
B41	DE-23832-6	1	LABEL,770A ENUNCIATOR,JAP
B41	DE-23832-4	1	LABEL,770A ENUNCIATOR,ENG
B41	DE-23832-3	1	LABEL,770A ENUNCIATOR,SPA
B41	DE-23832-2	1	LABEL,770A ENUNCIATOR,FRE
B41	DE-23832-1	1	LABEL,770A ENUNCIATOR,GER
B41	DE-22663-D	1	LABEL,770A ENUNCIATOR,DUT
B42	DE-23420	1	DECAL,UPPER DISPLAY,MUSCLE MAP 770A
B43	FO100011	2	O-RING, 334 ID X .474 OD
B44	ES000004	1	TAB, FASTON 250 SERIES
B46	HF540200	1	GROMMET NYLON
B48	HJ532510	10	SCREW, SEMS, 6-32 X .38 PNH D PHIL EXT BLK ZN
B49	HJ622512	10	SCREW, SEMS, .25-20 X .50 PNH D PHIL EXT BLK ZN
B50	HS-21672	10	SCREW 8-32-1/2in TT TRILOBULAR
B52	HT532517	10	Tap Sc No 6-18 x 1.00 PPNHD
B54	HX-23021	1	CLIP,CABLE CLAMP,3-16DIA
65	HT552512	10	TAP SC NO. 8-16 X .50 PLASTITE PAN HEAD PHILLIPS BLACK

770A / 771A Console Cables J1103 to L0731



Ref #	Part Number	Qty	Description
B10	770A-357	1	CABLE, HEADPHONE JACK JUMPER, ARC
B11	770A-358	1	CABLE, USB JUMPER
B12	770A-359	1	CABLE, 770A ARC MCC TO LED
B13	AW-23849	1	CABLE, 525AT CONSOLE UPPER
B14	770A-361	1	CABLE, ARC HRBOARD TO MCC
B15	770A-363	1	CABLE, 770T 670 GFX BOARD TO MCC
B16	770A-364	1	CABLE, HANDSET MEMBRANE, ARC
B17	770A-365	1	CABLE, THUMB CONTROLS
B24	770A-379	1	SENSOR, HEART RATE COMBO
B39	OAW-24968V	1	CABLE, 770ACR, IPOD 30 PIN PURCHASED
B73	AW-20935	1	Cable Frame Harness
B74	770A-412	1	CABLE, EPEM CHASSIS GROUND
B75	AW-23551	1	CABLE, ARC GRIPS, LOWER BODY

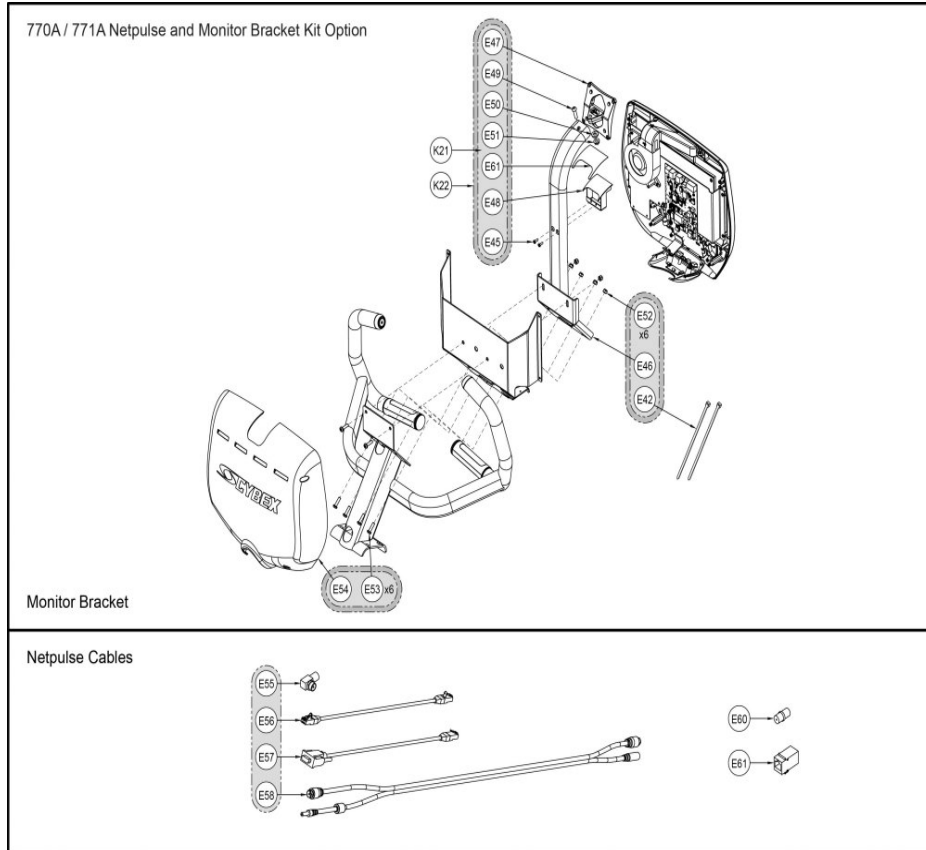
770A, 771A - Hardware Manual and Power Cords



Ref #	Part Number	Qty	Description
A1	12090-322	2	PAD FOOT (6.25")
D1	5770	1	Owners Manual 770 Arc
D2	770A-415	1	WARRANTY SHT, COMMERCIAL ARC 770
D3	770A-416	1	WARRANTY SHT, CONSUMER ARC 770
K9	750AK033	1	KIT VOLTAGE ASSY 220V/50HZ EUROPE NON UK
D9	770A-404	1	POSTER ASSY UNSTR 770A
K10	750AK034	1	Kit Voltage Assy 220V/10A UK
D10,K8	TR-22382	2	Power supply
K11	750AK035	1	KIT VOLTAGE ASSY 110V/50HZ JAPAN
D11	EW600007	1	POWER CORD, NEMA5-1 5PTOIEC320 C13 LA, 10A
D12	EW600008	1	POWER CORD, CEE 7/7 TO IEC320 C13 LA, 10A
K12	750AK036	1	KIT, VOLTAGE ASSEMBLY 10A/250V DANISH
D13	EW600009	1	POWER CORD, BS 1363UK10 TO IEC320 C13 LA, 10A
D14	EW600010	1	POWER CORD, JIS 8303 TO IEC320 C13 LA, 12A
D15	EW600011	1	POWER CORD, DANISH DK2-1A TO IEC320 C13 LA, 12A
D18	EW600012	1	POWER CORD, AS/NZS3112TOIEC320C13 LA, 10A
D19	626A-340	1	HARDWARE PACK, 626A
D20	OAW-25706	1	POWER CORD, 10A/250V, 2.5MM CHINESE TO C13
A23	BK030204	1	HEX KEY .219IN
A28	HC700430	4	BHSCS .375-16 X 2.50
A29	HF540200	1	GROMMET NYLON
A30	HN704901	4	LOCKNUT .375-16 NYLON

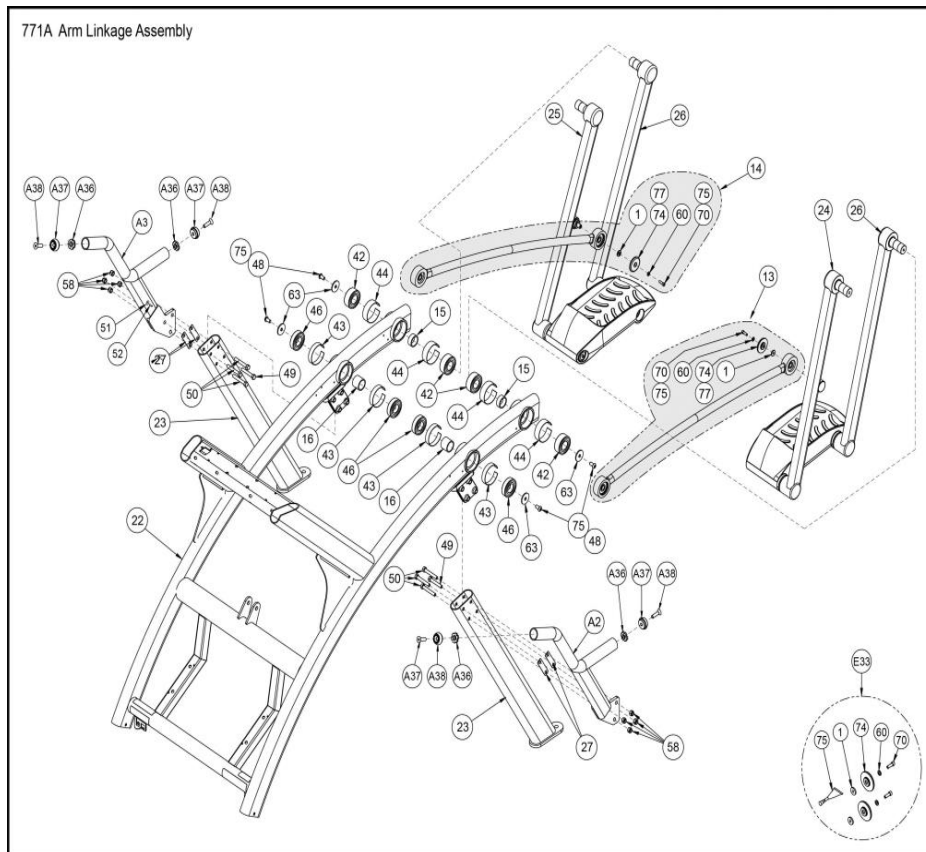
Ref #	Part Number	Qty	Description
A32	HT532512	2	PN HD PHIL SC #6 X .50 PLASTITE
A33	HT552512	19	TAP SC NO. 8-16 X .50 PLASTITE PAN HEAD PHILLIPS BLACK
A34	HT572515	8	SCREW, PAN HEAD PHILIPS 10-24 X .75 TYPE 23, BLK
A35	HT592526	4	Tap Sc 10-12 x 2.00 Pn Hd Phil
A39	770A-427	1	CABLE, 6', RG59 COAX F-TYPE M-M
E41	750A-372	1	Decal Warning
E42	EW000028	3	CABLE TIE 8.00
E43	EW000029	1	CABLE TIE 15.00

770, 771A Netpulse Bracket Kit Option



Ref #	Part Number	Qty	Description
K21	771AK010	1	MONITOR MOUNT KIT
K22	626AK010	1	MONITOR MOUNT KIT
E42	EW000028	2	CABLE TIE 8.00
E45	HS-21672	2	SCREW 8-32-1/2in TT TRILOBULAR
E46	AF-24437	1	WELDMENT,TUBE SUPPORT,SMALL CO
E47	OHX-24440	1	MOUNT, VESA, MONITOR, VTILT 8NM
E48	AF-24436	1	WELDMENT,HOOD,SMALL CONSOLE
E49	HS-18157	1	BOLT 5-16-18 X 1.25 BTHD,SS,BL
E50	HW-18123	1	WSHR,.344IDX.75 ODX.125THK,HAR
E51	HN-42063	1	NUT 5-16-18 FLANGED SS BO
E52	HN-12079	6	KEPS 1-4-20 HEX STL ZINC
E53	HS-00489	6	BOLT,1-4-20X1.0,HXHD,ZN,GR5
E54	OPL-24438	1	COVER, CONSOLE BACK, MACHINE
E55	OCN-24518	1	CONNECTOR, RG6 RIGHT ANGLE PUSH-ON
E56	AW-24521	1	CABLE,CAT6,14FT
E57	AW-24522	1	CABLE,N5i CSAFE,STRAIGHT 34in
E58	AW-24523	1	CABLE,POWER & COAX 13FT
E59	ODE-24616	1	DECAL, LID
E60	OCN-24519	1	COUPLER, COAX, FEMALE
E61	OCN-22747	1	COUPLER, RJ45 PANEL MOUNT

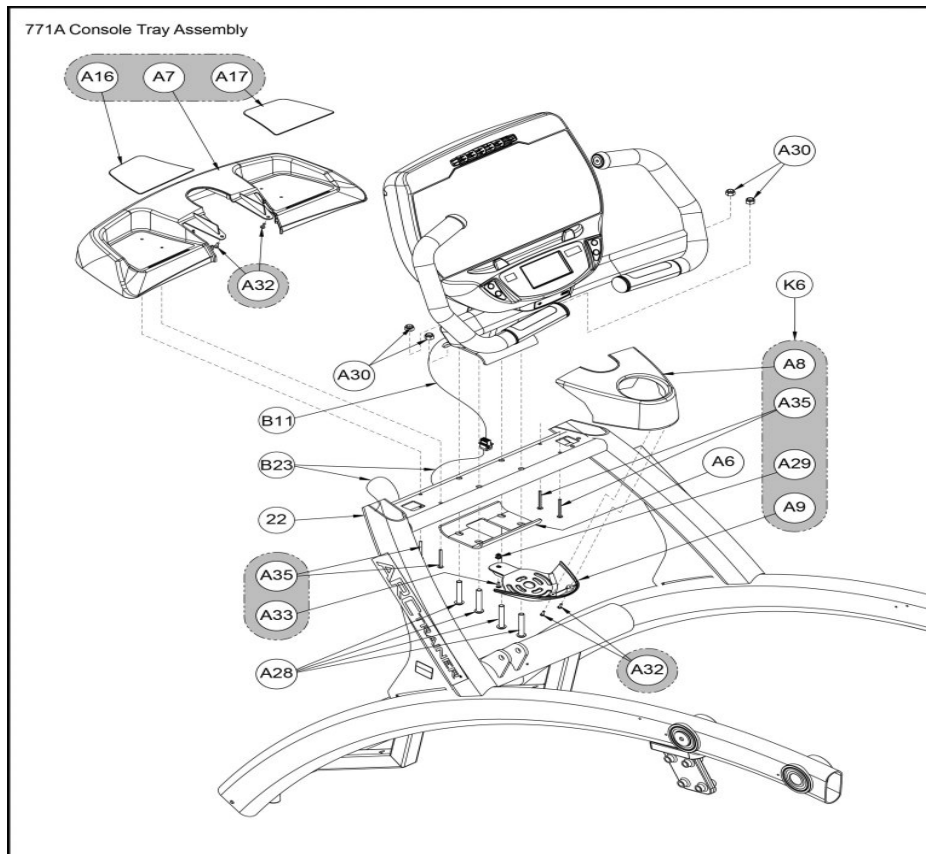
771A Arm Linkage Assembly



Ref #	Part Number	Qty	Description
1	600A-311	4	SPACER FLANGE
A2	771A-202	1	W SIDE HANDLE, LH
A3	771A-203	1	W SIDE HANDLE, RH
13	750AK006	1	KIT, LINKAGE ROD LEFT
14	750AK007	1	KIT, LINKAGE ROD RIGHT
15	750A-312	2	Tube Spacer
16	750A-325	2	Tube Spacer
22	771A-200	1	W MAIN FRAME Custom
23	771A-201	1	W REAR LEG Custom
24	770AK008	1	KIT, FOOT PLATE ARM, FRONT LEFT SIDE
25	770AK009	1	KIT, FOOT PLATE ARM, FRONT RIGHT SIDE
26	770AK010	2	KIT, FOOT PLATE ARM, REAR
27	771A-322	4	PLATE, SPACER
E33	773ATK007	1	KIT, LINKAGE CAP
A36	HF709001	2	INSERT 1.37 X .375-16 UNC
A37	770A-399	6	CAP, END 1.50 OD
A38	HC700922	4	FHSCS .375-16 X 1.500, SS
42	FB030256	4	BEARING BALL 1.181 DIA DOUBLE ROW
43	FC030003	4	TOLERANCE RING 2.4409 ID
44	FC030011	4	Tolerance Ring .62mm dia
46	HB-17280	4	BEARING,BALL,SINGLE ROW,6206
48	HC700415	4	BHSCS .375-16 X .75

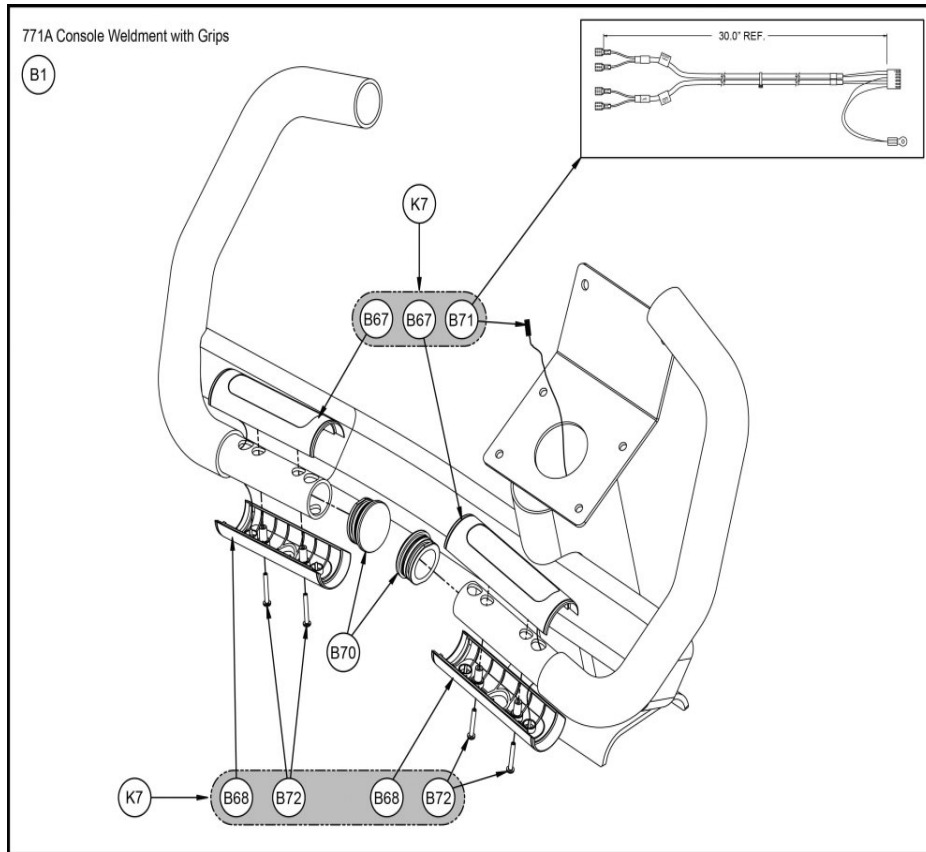
Ref #	Part Number	Qty	Description
49	HC701228	2	HX HD CAP SC .375-16 X 2.25
50	HC701230	6	HX HD CAP SC .375-16 X 2.500
51	770A-345	2	WASHER, MDPE, .150 ID X .500 OD X .100
52	HP296712	2	PIN, SPRING .156 X .500
58	HN704901	8	LOCKNUT .375-16 NYLON
60	HS307601	4	WASH FLAT .281 .500 .062 T
63	HS347602	4	WASHER .390 X 1.500 X .124 FLAT
70	HX622815	2	SHCS .250-20 X .75 SS
74	PL-16535	2	CAP, LINKAGE ROD, 2.00 OD

771A Console Tray Assembly



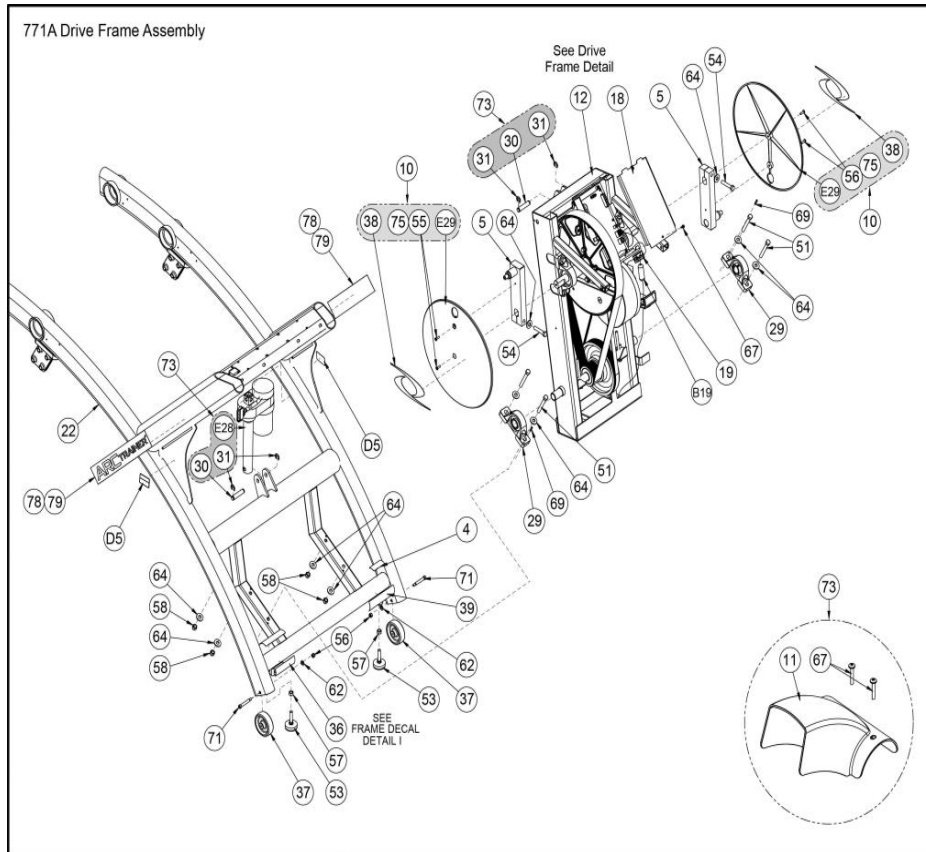
Ref #	Part Number	Qty	Description
A6	770A-310	1	BRACKET, LOWER, DISPLAY MOUNT
K6	770AK030	1	Kit, Tray 770A- Order Language Specific
A7	770A-316	1	TRAY ACCESSORY
A8	770A-317	1	HOLDER, CUP, TOP
A9	770A-318	1	HOLDER, CUP, BOTTOM
B11	AW-23849	1	CABLE, 525AT CONSOLE UPPER
A16	770A-331	1	DECAL, WARNING, LOWER 770A CONSOLE- Custom
A17	770A-332	1	DECAL, WARNING, LOWER 770A CONSOLE- Custom
22	771A-200	1	W MAIN FRAME Custom
B23	AW-20935	2	Cable Frame Harness
A28	HC700430	4	BHSCS .375-16 X 2.50
A29	HF540200	1	GROMMET NYLON
A30	HN704901	4	LOCKNUT .375-16 NYLON
A32	HT532512	4	PN HD PHIL SC #6 X .50 PLASTITE
A33	HT552512	1	TAP SC NO. 8-16 X .50 PLASTITE PAN HEAD PHILLIPS BLACK
A35	HT592526	4	Tap Sc 10-12 x 2.00 Pn Hd Phil

771A Console Weldment With Grips



Ref #	Part Number	Qty	Description
B1	625A-104	1	CONSOLE ASSEMBLY
K7	770AK014	1	KIT, CONTACT GRIPS WOTH WIRES
B67	770A-397	2	GRIP, CHR, TOP
B68	770A-398	2	GRIP, CHR, BOTTOM
B70	770A-407	2	END CAP, CONTACT GRIP
B71	AW-23551	1	CABLE,ARC GRIPS,LOWER BODY
B72	HT532519	2	TAP SC #6-20 X 1.12, TYPE 25, PPHD

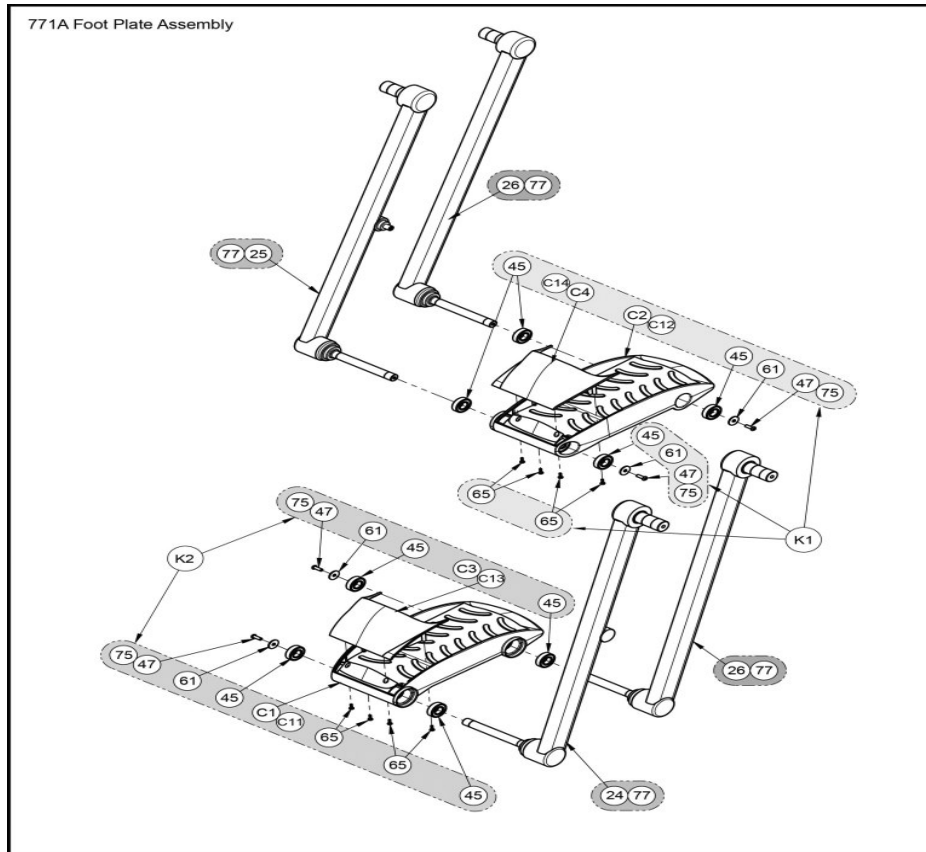
771A Drive Frame Assembly



Ref #	Part Number	Qty	Description
4	600A-362	1	LABEL PATENT BIOSIG
5	1017795-0001	2	ASSY: ARM CRANK
D5	DE000004	1	Decal Caution Custom
10	1008223-0001	2	KIT: COVER, CRANK, FLAT
11	740A-354	1	Cover Elevation Motor
12	771A-101	1	DRIVE FRAME ASSEMBLY
18	771A-316	1	COVER, CONTROLLER
19	750A-396	1	Ferrite Clamp-on .40 ID
B19	770A-410	2	FERRITE, 407 OHMS
22	771A-200	1	W MAIN FRAME Custom
E29	1006629-0002	2	COVER, CRANK-CHR
29	600A-340	2	BEARING PILLOW BLOCK 1.00
30	AP030055	2	Pin Groove .50 x 2.00
31	BR030228	4	Retaining Ring .500 External
36	CM000199	1	DECAL SERIAL NUMBER
37	CW-17231	1	WHEEL, TENSIONER
38	DE-17339	2	DECAL CYBEX VORTEX
39	CM000269	1	LABEL, ETL CSA CE, ED:5
51	HC701234	4	HX HD CAP SC .375-16 X 3.00
53	HG700022	2	LEVELING GLIDE 3-8-16
54	HH701226	2	BOLT, HHCS GRD 8, .375-16 X 2.0
55	HM582514	2	PN HD PHIL SC NO 10-32 X .625 BLK ZN

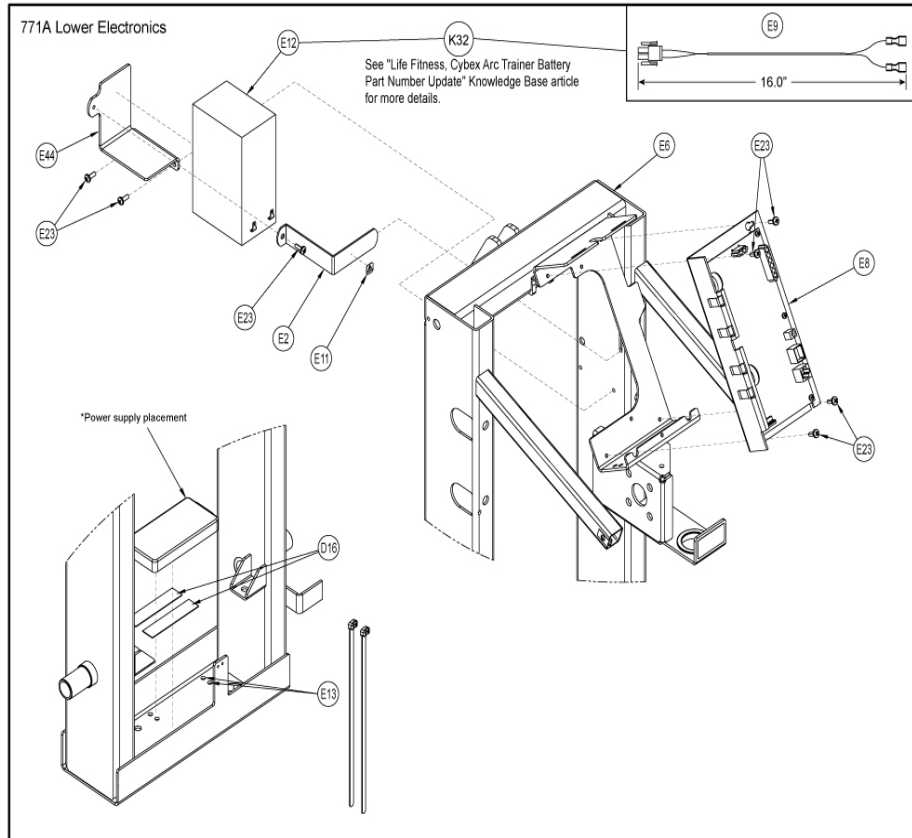
Ref #	Part Number	Qty	Description
56	HN624901	4	LOCKNUT .250-20 NYLON BLACK ZINC
57	HN704000	2	HEX NUT .375-16
58	HN704901	4	LOCKNUT .375-16 NYLON
62	HS328300	2	LOCKWASHER SPLIT .312
64	HS347700	8	WASHER USS .375
67	HT572512	1	TAP SC NO. 10 - 24 X .50 PN HD PHIL
69	HX-17023	1	PIN,SPRING .187X.813 LG,TYPE 420,ST STL
71	JD623324	2	S BOLT .312 X 1.75 .250-20
73,E28	750AK025	3	KIT, ELEVATION MOTOR
75	YA000201	1	ADH THRD LKR REM .02 OZ 242
78	1008186-2400	2	DECAL: ARC TRAINER
79	770A-338	2	DECAL, ARC TRAINER (SILVER)

771A Foot Plate Assembly



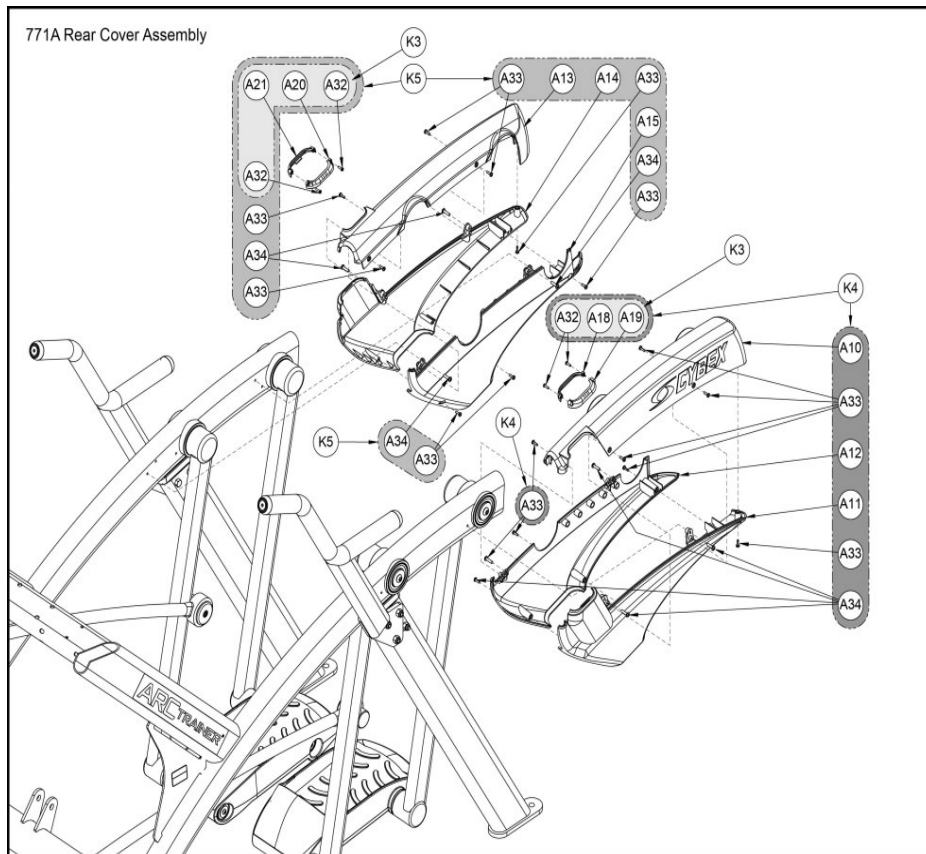
Ref #	Part Number	Qty	Description
C1	740A-378	1	Foot Plate LH
K1	750AK002	1	KIT, FOOT PLATE RIGHT
C2	740A-379	1	Foot Plate RH
K2	750AK003	1	KIT, FOOT PLATE LEFT
C3	740A-380	1	Toe Cap LH
C4	740A-381	1	Toe Cap RH
C11	740A-392	1	FOOT PLATE, LH YELLOW
C12	740A-393	1	FOOT PLATE, RH YELLOW
C13	740A-394	1	TOE CAP, LH YELLOW
C14	740A-395	1	TOE CAP, RH YELLOW
24	770AK008	1	KIT, FOOT PLATE ARM, FRONT LEFT SIDE
25	770AK009	1	KIT, FOOT PLATE ARM, FRONT RIGHT SIDE
26	770AK010	1	KIT, FOOT PLATE ARM, REAR
45	HB-17036	8	BEARING,BALL, .750DIA
47	HC620415	4	BHSCS .250-20 X .75, BL ZN
61	HS307604	4	WASHER, FLAT .281 ID X 1.000 OD X .063 TH BL ZN
65	HT552512	8	TAP SC NO. 8-16 X .50 PLASTITE PAN HEAD PHILLIPS BLACK

771A Lower Electronics



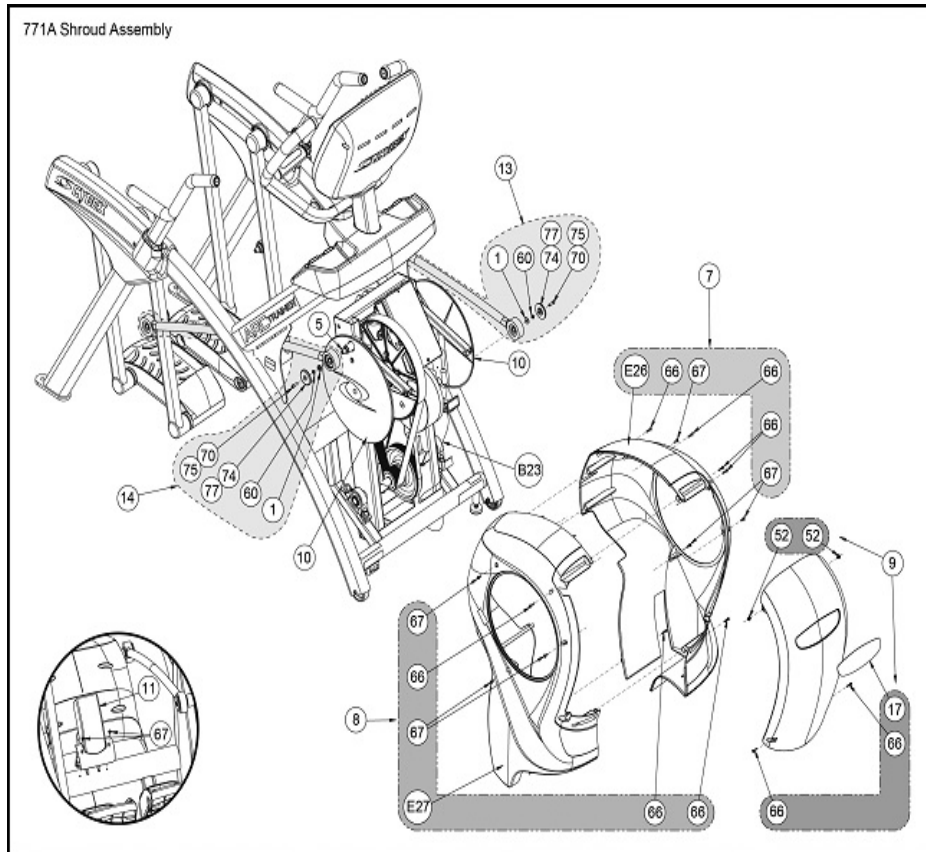
Ref #	Part Number	Qty	Description
E2	630A-314	1	CLAMP BATTERY
E6	771A-205	1	W DRIVE FRAME (BLACK WRINKLE ONLY)
E8	AD-23681	1	PCA,770A 625A,LOWER CONTROLLER
E9	1019999-0001	1	CABLE: BATTERY, ARC, F1 TERMINAL
E11	DE-19586	1	LABEL WARNING ICON
E12	1019996-0001	1	BATTERY: 12V, 7AHR, F1 TERMINAL
E13	EW000028	2	CABLE TIE 8.00
D16	01250	2	TAPE DOUBLE COATED 0.75
E23	HT572512	8	TAP SC NO. 10 - 24 X .50 PN HD PHIL
K32	1020058-0001	1	KIT: BATTERY 1019996-0001 + CABLE, 770, 625 ARC TRAINER
E44	771A-314	1	TRAY, BATTERY

771A Rear Cover Assembly



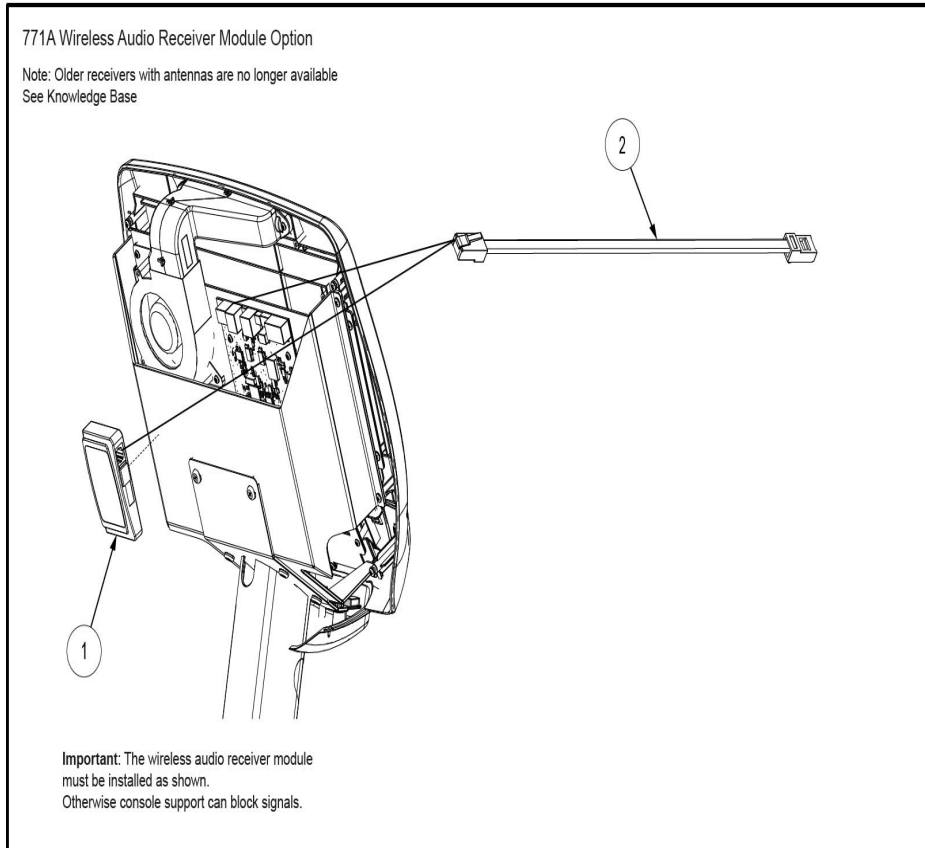
Ref #	Part Number	Qty	Description
K3	770AK048	1	KIT, COLLAR SET
K4	770AK004	1	KIT, PIVOT COVER, LEFT SIDE
K5	770AK005	1	KIT, PIVOT COVER, RIGHT SIDE
A10	770A-319	1	COVER, REAR, TOP, LH
A11	770A-320	1	COVER, REAR, OUTER, LH
A12	770A-321	1	COVER, REAR, INNER, LH
A13	770A-322	1	COVER, REAR, TOP, RH
A14	770A-323	1	COVER, REAR, OUTER, RH
A15	770A-324	1	COVER, REAR, INNER, RH
A18	770A-334	1	COLLAR, LH INNER
A19	770A-335	1	COLLAR, LH OUTER
A20	770A-340	1	COLLAR, INNER RH
A21	770A-341	1	COLLAR, OUTER RH
A32	HT532512	4	PN HD PHIL SC #6 X .50 PLASTITE
A33	HT552512	12	TAP SC NO. 8-16 X .50 PLASTITE PAN HEAD PHILLIPS BLACK
A34	HT572515	8	SCREW, PAN HEAD PHILIPS 10-24 X .75 TYPE 23, BLK

771A Shroud Assembly



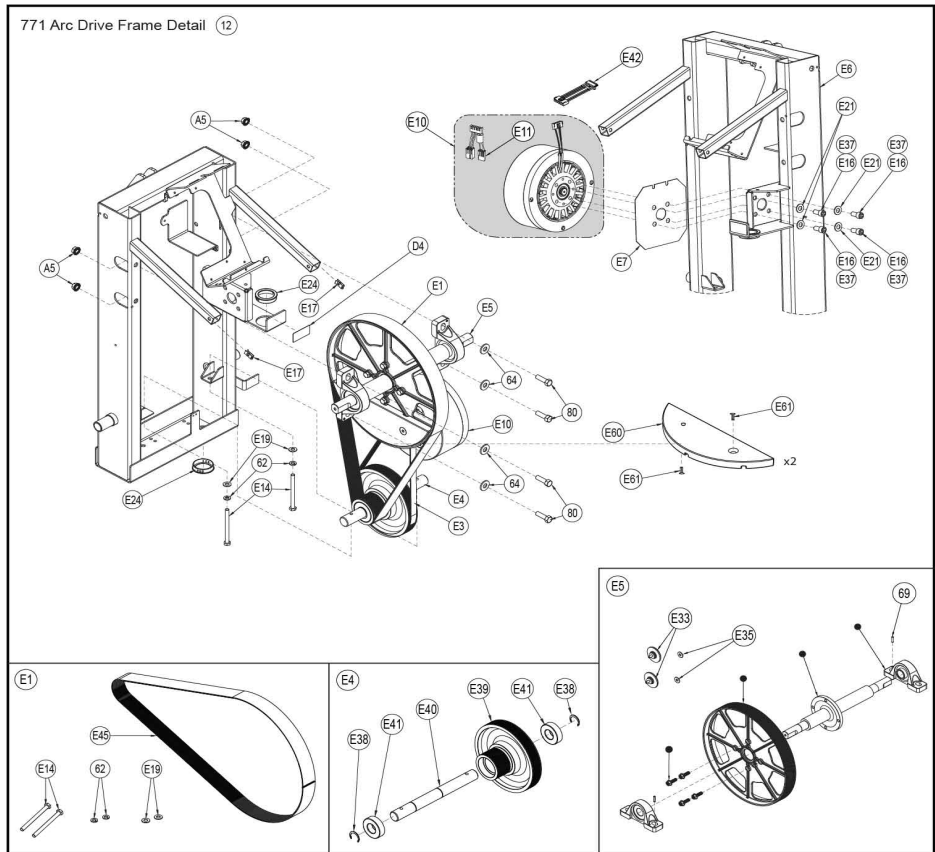
Ref #	Part Number	Qty	Description
1	600A-311	2	SPACER FLANGE
5	1017795-0001	2	ASSY: ARM CRANK
7	750AK021	1	KIT, ARC SHROUD LEFT
8	750AK022	1	KIT, ARC SHROUD RIGHT
9	750AK024-4	1	KIT, ACCESS COVER
10	1008223-0001	2	KIT: COVER, CRANK, FLAT
11	740A-354	1	Cover Elevation Motor
13	750AK006	1	KIT, LINKAGE ROD LEFT
14	750AK007	1	KIT, LINKAGE ROD RIGHT
17	750A-349	1	Decal ARC
B23	AW-20935	1	Cable Frame Harness
E26	740A-350	1	Cover LH
E27	740A-351	1	Cover RH
52	HF540200	2	GROMMET NYLON
60	HS307601	2	WASH FLAT .281 .500 .062 T
66	HT552515	12	TAP SC NO. 8-16 X .75 PLASTITE PN HD PHIL BLK
67	HT572512	2	TAP SC NO. 10 - 24 X .50 PN HD PHIL
70	HX622815	2	SHCS .250-20 X .75 SS
74	PL-16535	2	CAP, LINKAGE ROD, 2.00 OD

771A Wireless Audio Option



Ref #	Part Number	Qty	Description
1	770A-390	1	MODULE, RF 900 MHZ FM US
2	AW-19404	1	CABLE,CAT5 RJ45 FLAT PATCH 12i

771 Arc Drive Frame Detail



Ref #	Part Number	Qty	Description
E1	600AK020	2	KIT 16 RIB BELT TENSIONING
E3	630A-328	2	BELT SECONDARY DRIVE 7 RIB
D4	DE-17155	2	LABEL,WARNING HOT FLYWHEEL
E4	771A-110	2	DOUBLE PULLEY ASSY
A5	HN704001	5	LOCKNUT, .375-16 SERRATED HEX
E6	771A-205	2	W DRIVE FRAME (BLACK WRINKLE ONLY)
E7	750A-364	2	Spacer Gen Winding
E10	1007425-0001	2	KIT: BRAKE, ARC TRAINER
E10	AX-19550	1	ASSEMBLY ECB/GEN
E11	1006756-0001	4	CONNECTOR, CABLE
12	771A-101	2	DRIVE FRAME ASSEMBLY
E14	HC661240	4	HX HD CAP SC .312-18 X 3.75
E16	HC702815	6	SHCS .375-16 X .750
E17	HF579000	6	PANEL FASTENER 10-24 U TYPE
E19	HS327600	4	WASHER SAE .312
E21	HS347600	6	WASHER SAE .375
E24	HX-17050	6	BUSHING,1.275IDX1.87 OD,NYLON INSULATED
E30,E5	600AK002	3	KIT PULLEY CRANK SHAFT
E31	600A-337	1	PULLEY POLYV DIE 16 GROOVE
E32	600A-340	2	BEARING PILLOW BLOCK 1.00
E33	773ATK007	4	KIT, LINKAGE CAP
E34	HC661217	4	HX HD CAP SC .312-18 X 1.000

Ref #	Part Number	Qty	Description
E35	HS307600	4	WASHER SAE .250
E36	HS760100	4	WASH FLAT .380 .625 .090 T
E38	BR030221	4	RING RETAINING EXT CRESCENT
E39	PW-16521	2	PULLEY,DRIVE
E40	771A-318	2	SHAFT, LOWER
E41	FB030243	4	BEARING 25MMIDX52MMOD 6205
E42	OAW-24272	2	CABLE, 625/770A , BRAKE JUMPER
E45	600A-343	2	BELT PRIMARY DRIVE 16 RIB
E60	FM-19507	4	COUNTERWEIGHT
E61	JC700922	8	FHSCS .375-16 X 1.50
62	HS328300	4	LOCKWASHER SPLIT .312
64	HS347700	8	WASHER USS .375
69	HX-17023	4	PIN,SPRING .187X.813 LG,TYPE 420,ST STL
75	YA000201	4	ADH THRD LKR REM .02 OZ 242
80	HC701220	8	BOLT,3-8-16X1.25.HXHD

